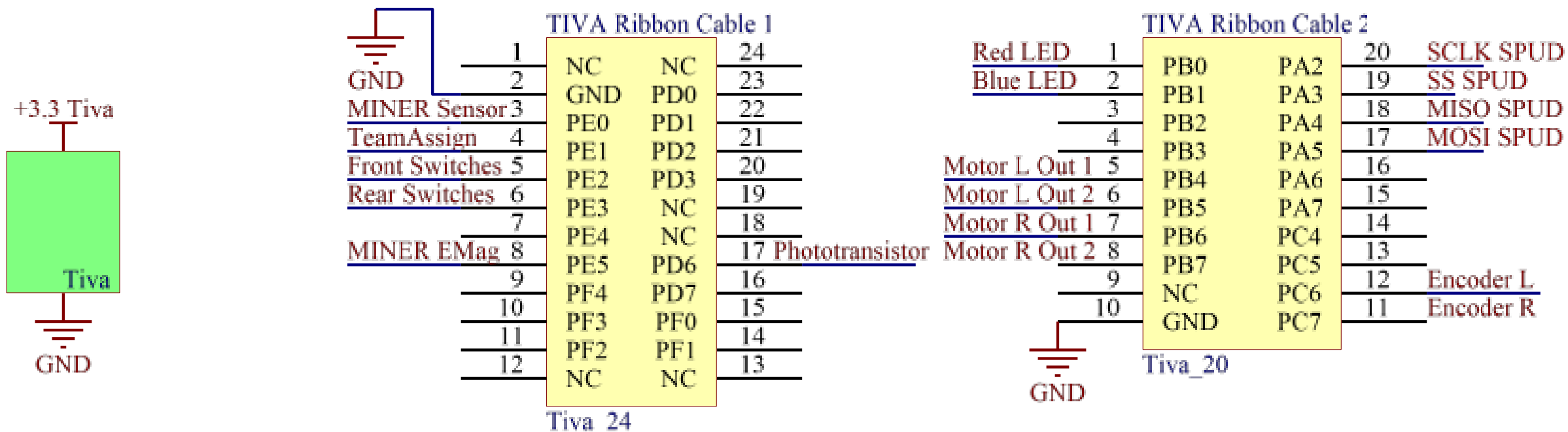


## Tiva Microcontroller Pins



\*Note: Tiva input has internal pull-up resistors for switches and for Beam Break Receiver