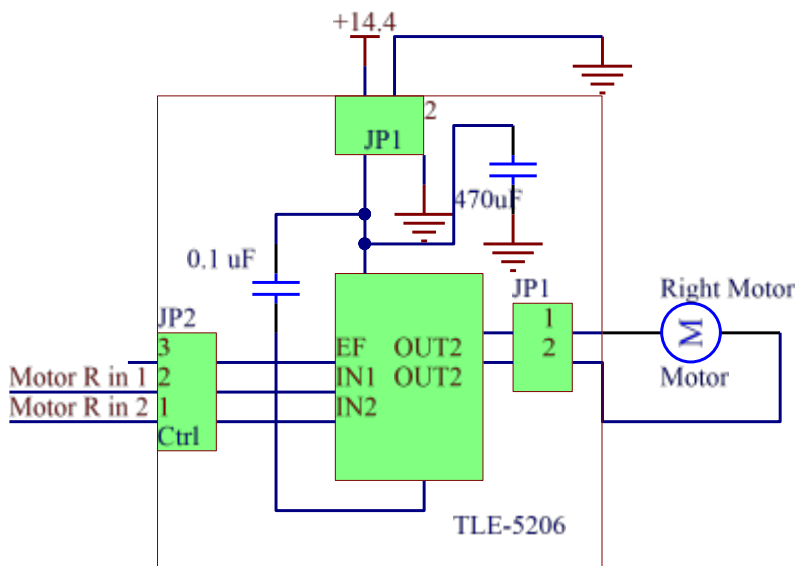
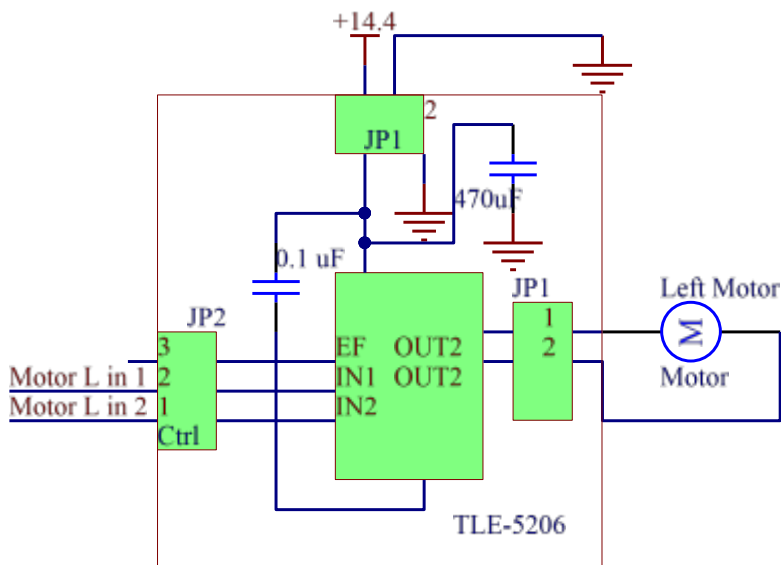


## Motors



\*Note: Motor drivers have built-in flyback diodes.