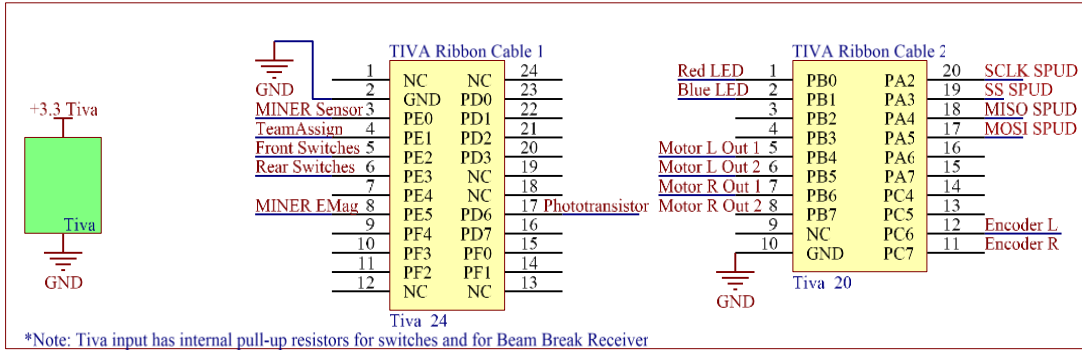
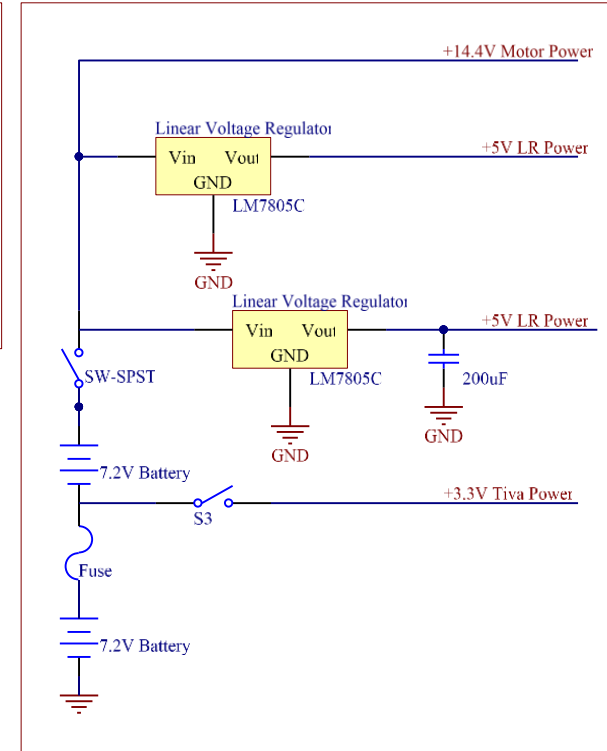


Tiva Microcontroller Pins

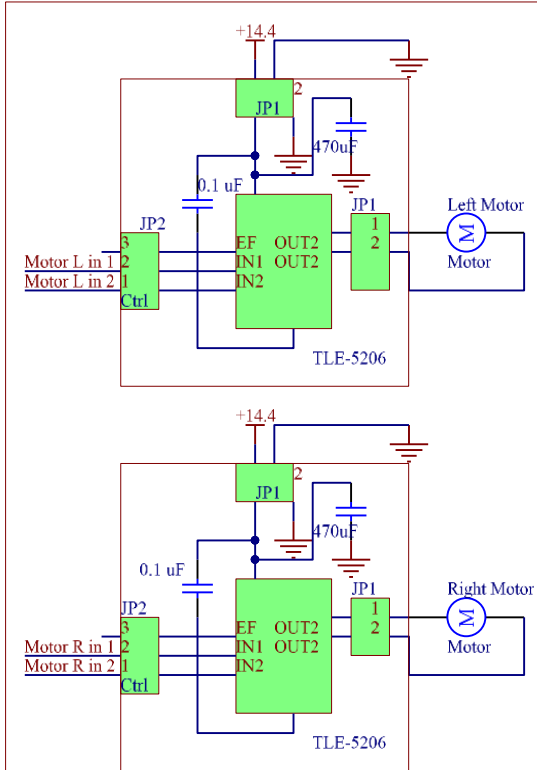


*Note: Tiva input has internal pull-up resistors for switches and for Beam Break Receiver

Power Distribution

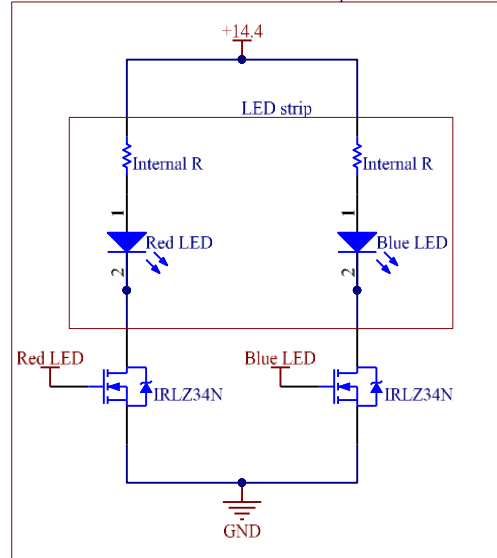


Motors

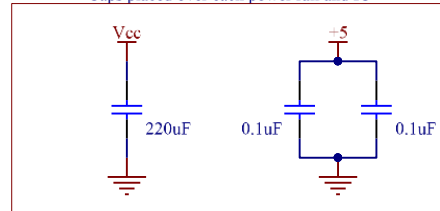


*Note: Motor drivers have built-in flyback diodes.

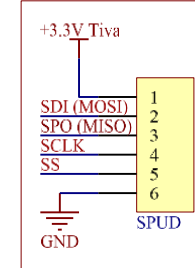
Team Indicator LED Strip



Caps placed over each power rail and IC



SPUD Communication



Team Assignment Switch

