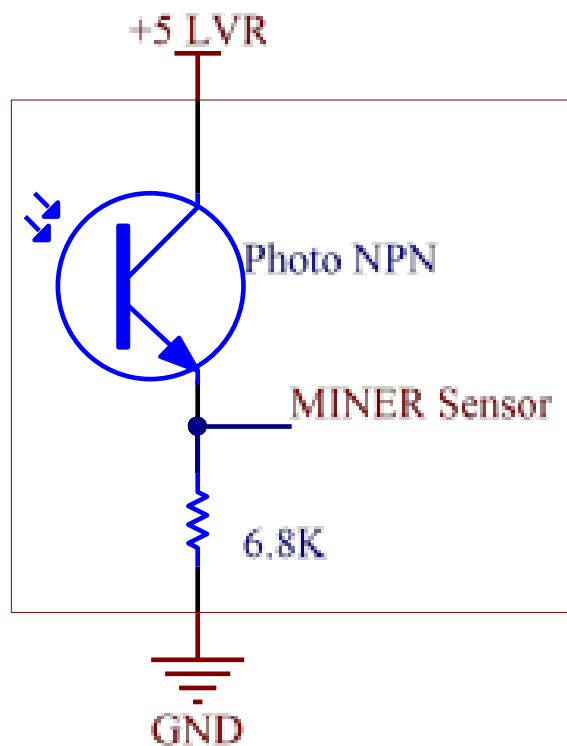
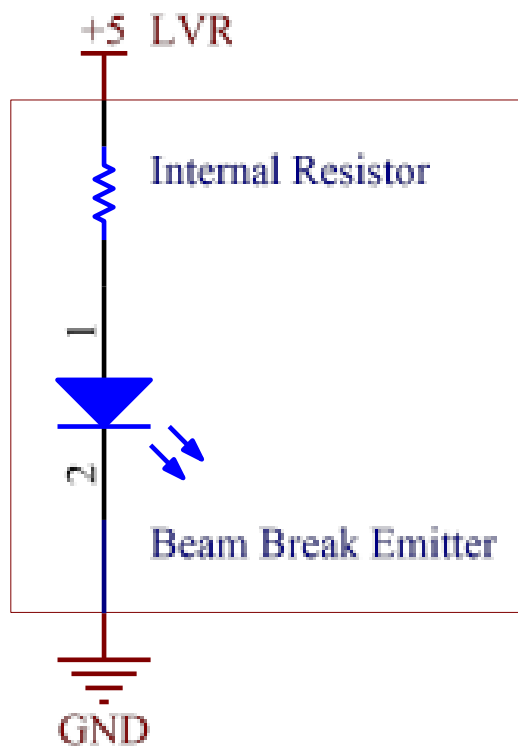


Beam Break to Confirm MINER Acquisition



Internal Circuit of Beam Break Receiver